

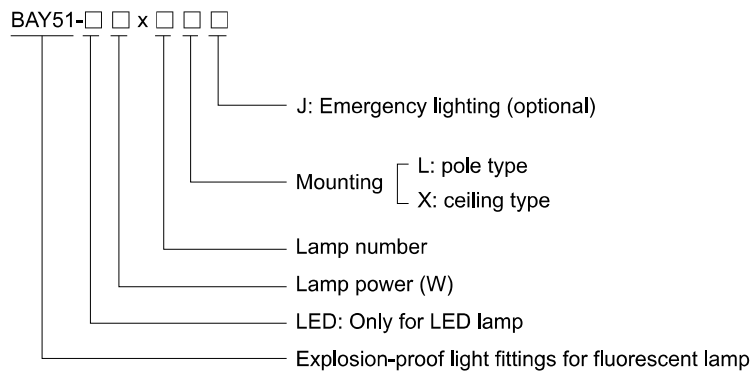
Light Fittings for Fluorescent Lamp

BAY51 Series Explosion-proof Light Fittings for Fluorescent Lamp



- ◆ Explosion protection to
 - CENELEC
 - IEC
 - NEC
- ◆ Can be used in
 - Zone 1 and Zone 2
 - Zone 21 and Zone 22
 - Class I, Zone 1 and Zone 2
 - Class I, Division 1, Groups A, B, C, D
- ◆ Single or dual lamp versions
- ◆ Available lamp and power
 - Fluorescent lamps: 18W x 1, 36W x 1, 58W x 1, 18W x 2, 36W x 2, 58W x 2.
 - LED lamps: 9W x 1, 9W x 2, 18W x 1, 18W x 2, 28W x 1, 28W x 2.
- ◆ The glass tube stands 4J impact.
- ◆ Enclosure in copper-free aluminium, powder coated surface, yellow (RAL1021).
- ◆ Built-in electronic ballast, wide voltage input, rapid starting, stable performance, power factor \geq 0.95.
- ◆ Built-in LED driver, wide voltage input, CC-CV (constant current - constant voltage) output, power factor \geq 0.95.
- ◆ End of lamp life (EOL) rectification effect protection.

■ Catalogue number logic



Zones 1&2; 21&22

Light Fittings for Fluorescent Lamp

BAY51 Series Explosion-proof Light Fittings for Fluorescent Lamp

Technical data

Explosion-proof light fittings for fluorescent lamp BAY51-□ x □□

Explosion protection

Gas explosion protection
Dust explosion protection

Ex II 2 G Ex d IIC T6 Gb Ex d IIC T6 Gb
Ex II 2 D Ex tb IIIC T80°C Db IP66 Ex t IIIC T80°C Db IP66

Certificates

LCIE 09 ATEX 3046; IECEx CQM 12.0042X; RU C-CN.ГБ05.B.00344 (CU-TR)

Conformity to standards

EN 60079-0, EN 60079-1, EN 60079-31
IEC 60079-0, IEC 60079-1, IEC 60079-31

Material

Enclosure Copper-free aluminium, powder coated surface, yellow (RAL1021)
Glass tube Toughened glass, stands 4J impact
Ballast Electronic ballast
Wire guard (optional) Powder coated carbon steel (white) or stainless steel
Exposed fastener Stainless steel

Lamp

Lamp specification T8 tube (supplied with the light fittings)
Lamp power (W) 18W x 1 18W x 2
36W x 1 36W x 2
58W x 1 58W x 2

Rated voltage

100~300V AC 50/60Hz

Earthing protection

M5 (internal & external earth bolts)

Degree of protection

IP66, IP67 (optional)

Ambient temperature

-20°C~+55°C

Terminal

3 x 1.5~4mm² (L+N+PE)

Cable entries

Single lamp 2 x M25 x 1.5 plugs
Dual lamp 2 x M25 x 1.5 plugs

Cable gland (optional)

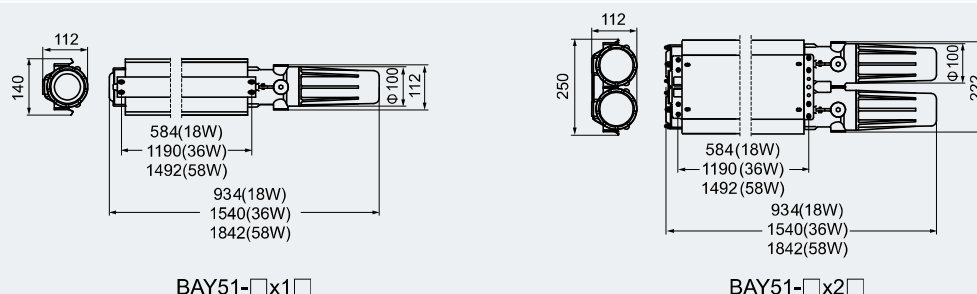
DQM-II (Ex d) or DQM-III (Ex d) is recommended. Please see P7/20~27

Selection table

Type / Ordering code	Lamp power(W)	Weight(kg)	Type / Ordering code	Lamp power(W)	Weight(kg)
BAY51-18 x 1X	18 x 1	5.60	BAY51-18 x 2X	18 x 2	10.60
BAY51-18 x 1L	18 x 1	6.50	BAY51-18 x 2L	18 x 2	11.55
BAY51-36 x 1X	36 x 1	8.80	BAY51-36 x 2X	36 x 2	16.30
BAY51-36 x 1L	36 x 1	9.30	BAY51-36 x 2L	36 x 2	16.85
BAY51-58 x 1X	58 x 1	10.40	BAY51-58 x 2X	58 x 2	18.30
BAY51-58 x 1L	58 x 1	10.85	BAY51-58 x 2L	58 x 2	19.20

Note: Products above include all the mounting accessories listed in Mounting Accessories & Spare Parts Table (see P2/21~22).

Dimension drawings (all dimensions in mm) - subject to alteration



Light Fittings for Fluorescent Lamp

BAY51 Series Explosion-proof Light Fittings for Fluorescent Lamp

Technical data

Explosion-proof emergency light fittings for fluorescent lamp BAY51-□ × □□J

Explosion protection

- Gas explosion protection
- Dust explosion protection

⊕ II 2 G Ex d IIC T6 Gb

⊕ II 2 D Ex tb IIIC T80°C Db IP66

Certificates

LCIE 13 ATEX 3003X; IECEX CQM 13.0004X; CU-TR

Conformity to standards

EN 60079-0, EN 60079-1, EN 60079-31

IEC 60079-0, IEC 60079-1, IEC 60079-31

Material

Enclosure

Copper-free aluminium, powder coated surface, yellow (RAL1021)

Glass tube

Toughened glass, stands 4J impact

Emergency unit

Special emergency controller and Ni-MH battery pack, with protection against over-charge and overdischarge

Ballast

Electronic ballast

Wire guard (optional)

Powder coated carbon steel (white) or stainless steel

Exposed fastener

Stainless steel

Lamp

Lamp specification

T8 tube (supplied with the light fittings)

Lamp power (W)

18W x 2, 36W x 2, 58W x 2

Emergency power (W)

18W x 1, 36W x 1, 58W x 1

Emergency starting time

0.3s

Charging time

24h

Emergency lighting time

120min (180min is optional)

Rated voltage

100~300V AC 50/60Hz

Earthing protection

M5 (internal & external earth bolts)

Degree of protection

IP66, IP67(optional)

Ambient temperature

-20°C~+55°C

Terminal

3 x 1.5~4mm² (L+N+PE)

Cable entries

4 x M25 x 1.5 plugs

Cable gland (optional)

DQM-II (Ex d) or DQM-III (Ex d) is recommended. Please see P7/20~27

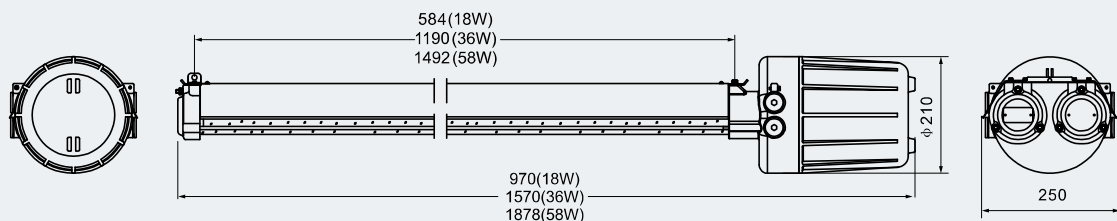


Selection table

Type / Ordering code	Lamp power(W)	Weight(kg)	Type / Ordering code	Lamp power(W)	Weight(kg)
BAY51-18 x 2XJ	18 x 2	14.50	BAY51-36 x 2LJ	36 x 2	20.30
BAY51-18 x 2LJ	18 x 2	14.60	BAY51-58 x 2XJ	58 x 2	22.20
BAY51-36 x 2XJ	36 x 2	20.20	BAY51-58 x 2LJ	58 x 2	22.30

Note: Products above include all the mounting accessories listed in Mounting Accessories & Spare Parts Table (see P2/23).

Dimension drawings (all dimensions in mm) - subject to alteration



BAY51-□x2□J

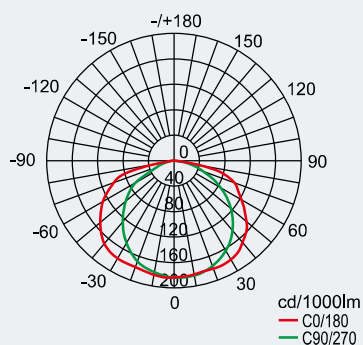
Light Fittings for Fluorescent Lamp

BAY51 Series Explosion-proof Light Fittings for Fluorescent Lamp

Photometric data

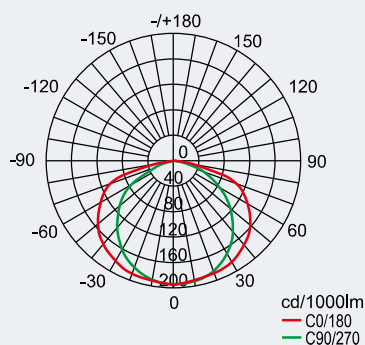
BAY51-18x1□□

Rated luminous flux
18Wx1: 1300lm



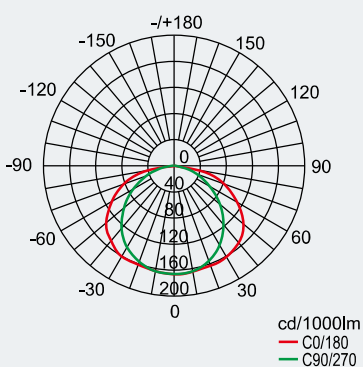
BAY51-18x2□□

Rated luminous flux
18Wx2: 2600lm



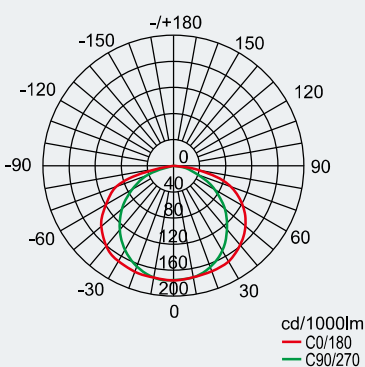
BAY51-36x1□□

Rated luminous flux
36Wx1: 3250lm



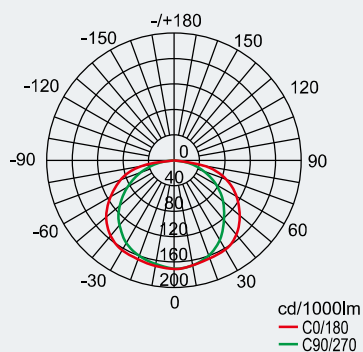
BAY51-36x2□□

Rated luminous flux
36Wx2: 6500lm



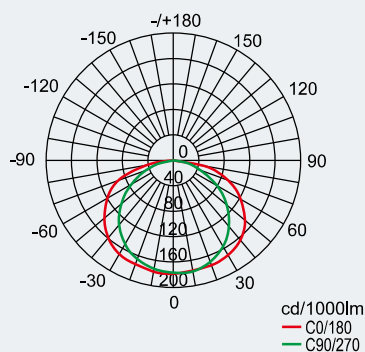
BAY51-58x1□□

Rated luminous flux
58Wx1: 5000lm



BAY51-58x2□□

Rated luminous flux
58Wx2: 10000lm



We can provide lighting design and data by professional lighting software DIALUX based upon simulated site situation on request.

Light Fittings for Fluorescent Lamp

BAY51 Series Explosion-proof Light Fittings for Fluorescent Lamp

Technical data

Explosion-proof light fittings with LED tubes BAY51-LED □ × □ □

Explosion protection

Gas explosion protection
Dust explosion protection

⊕ II 2 G Ex db IIC T6 Gb
⊕ II 2 D Ex tb IIIC T80°C Db IP66

Certificates

EPT 15 ATEX 2287X; LCIE 11 ATEX 3112X; IECEx CQM 12.0005X; CU-TR

Conformity to standards

EN 60079-0, EN 60079-1, EN 60079-31
IEC 60079-0, IEC 60079-1, IEC 60079-31

Material

Enclosure
Glass tube
LED driver

Copper-free aluminium, powder coated surface, yellow (RAL1021)
Toughened glass, stands 4J impact

Wide voltage input, CC-CV (constant current - constant voltage) output, power factor ≥ 0.95, with function of distributed current, constant current, surge-proof and anti-electromagnetic interference, and protection against overcurrent, open circuit, and short circuit.

Wire guard (optional)
Exposed fastener

Powder coated carbon steel (white) or stainless steel
Stainless steel

Lamp

Lamp specification
Lamp power (W)
Colour Temperature (CCT)

LED module (supplied with the light fittings)

9W x 1, 9W x 2, 18W x 1, 18W x 2, 28W x 1, 28W x 2

Cool white: 5400 ~ 6500K

Note: cool white is available in general. Warm white (2700~3500K) or nature white (4700~5400K) is optional, please specify when ordering.

110~265V AC 50/60Hz

M5 (internal & external earth bolts)

IP66, IP67(optional)

Rated voltage

Earthing protection

Degree of protection

Ambient temperature

Certificates	Lamp power (W)	Ambient temperature
EPT 15 ATEX 2287X	9W x 1, 9W x 2, 18W x 1 18W x 2, 28W x 1, 28W x 2	-20°C~+55°C
LCIE 11 ATEX 3112X	9W x 1, 9W x 2 18W x 1, 18W x 2	-40°C~+55°C
IECEx CQM 12.0005X	9W x 1, 9W x 2, 18W x 1, 18W x 2	-40°C~+55°C
	28W x 1, 28W x 2	-20°C~+55°C

Terminal

Mounting

Cable entries

Single lamp
Dual lamp

Cable gland

3 x 1.5~4mm² (L+N+PE)
Ceiling type, pole type

2 x M25 x 1.5 plugs
2 x M25 x 1.5 plugs

DQM-II (Ex d) or DQM-III (Ex d) is recommended. Please see P7/20~27

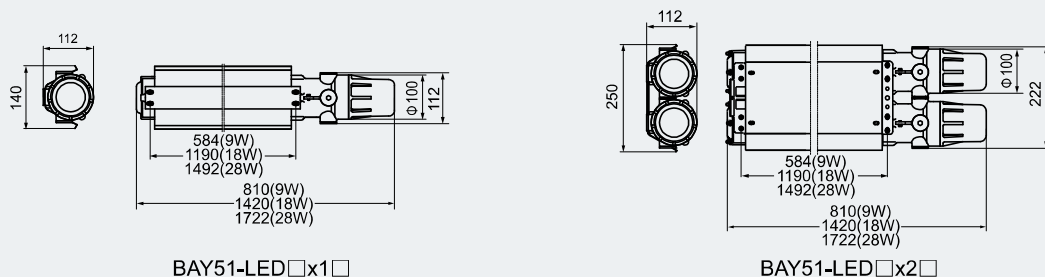


Selection table

Type / Ordering code	Lamp power(W)	Weight(kg)	Type / Ordering code	Lamp power(W)	Weight(kg)
BAY51-LED 9 x 1X	9 x 1	5.50	BAY51-LED 9 x 2X	9 x 2	9.80
BAY51-LED 9 x 1L	9 x 1	5.90	BAY51-LED 9 x 2L	9 x 2	10.50
BAY51-LED 18 x 1X	18 x 1	8.30	BAY51-LED 18 x 2X	18 x 2	15.70
BAY51-LED 18 x 1L	18 x 1	8.35	BAY51-LED 18 x 2L	18 x 2	16.40
BAY51-LED 28 x 1X	28 x 1	10.00	BAY51-LED 28 x 2X	28 x 2	17.30
BAY51-LED 28 x 1L	28 x 1	10.30	BAY51-LED 28 x 2L	28 x 2	18.30

Note: Products above include all the mounting accessories listed in Mounting Accessories & Spare Parts Table (see P2/21~22).

Dimension drawings (all dimensions in mm) - subject to alteration



Light Fittings for Fluorescent Lamp

BAY51 Series Explosion-proof Light Fittings for Fluorescent Lamp

Technical data

Explosion-proof light fittings with LED tubes BAY51-LED□ × □□J

Explosion protection

- Gas explosion protection
- Dust explosion protection

⊕ II 2 G Ex d IIC T6 Gb

⊕ II 2 D Ex tb IIIC T80°C Db IP66

Certificates

EUT 14 ATEX 1885; IECEx CQM 14.0051X; CU-TR

Conformity to standards

EN 60079-0, EN 60079-1, EN 60079-31

IEC 60079-0, IEC 60079-1, IEC 60079-31

Material

- Enclosure
- Glass tube
- LED driver

Copper-free aluminium, powder coated surface, yellow (RAL1021)

Toughened glass, stands 4J impact

Wide voltage input, CC-CV (constant current - constant voltage) output, power factor ≥ 0.95, with function of distributed current, constant current, surge-proof and anti-electromagnetic interference, and protection against overcurrent, open circuit, and short circuit.

Emergency unit

Special emergency controller and Ni-MH battery pack, with protection against overcharge and overdischarge

Wire guard (optional)

Powder coated carbon steel (white) or stainless steel

Exposed fastener

Stainless steel

Lamp

- Lamp specification
- Lamp power (W)
- Colour Temperature (CCT)

LED module (supplied with the light fittings)

9W x 2, 18W x 2, 28W x 2

Cool white: 5400 ~ 6500K

Note: cool white is available in general. Warm white (2700~3500K) or nature white (4700~5400K) is optional, please specify when ordering.

Emergency power (W)

9W x 1, 18W x 1, 28W x 1

Emergency starting time

0.3s

Charging time

24h

Emergency lighting time

120min (180min is optional)

Rated voltage

110~265V AC 50/60Hz

Earthing protection

M5 (internal & external earth bolts)

Degree of protection

IP66, IP67 (optional)

Ambient temperature

-20°C~+55°C

Terminal

3 x 1.5~4mm² (L+N+PE)

Cable entries

4 x M25 x 1.5 plugs

Cable gland(optional)

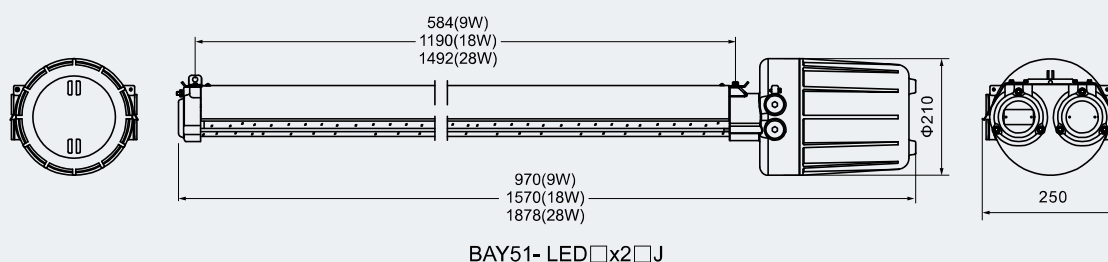
DQM-II (Ex d) or DQM-III (Ex d) is recommended. Please see P7/20~27

Selection table

Type / Ordering code	Lamp power(W)	Weight (kg)	Type / Ordering code	Lamp power(W)	Weight (kg)	Type / Ordering code	Lamp power(W)	Weight (kg)
BAY51-LED 9 x 2XJ	9 x 2	13.70	BAY51-LED 18 x 2XJ	18 x 2	19.40	BAY51-LED 28 x 2XJ	28 x 2	21.40
BAY51-LED 9 x 2LJ	9 x 2	13.80	BAY51-LED 18 x 2LJ	18 x 2	19.50	BAY51-LED 28 x 2LJ	28 x 2	21.50

Note: Products above include all the mounting accessories listed in Mounting Accessories & Spare Parts Table (see P2/23).

Dimension drawings (all dimensions in mm) - subject to alteration

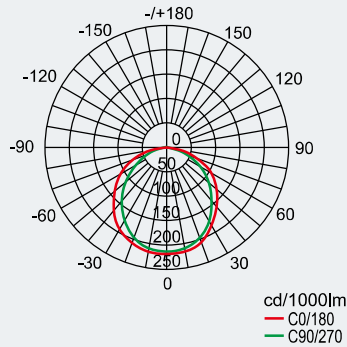


Light Fittings for Fluorescent Lamp BAY51 Series Explosion-proof Light Fittings for Fluorescent Lamp

Photometric data Note: LED luminous flux is from the standard product of which colour temperature is 5400 to 6500K (cool white).

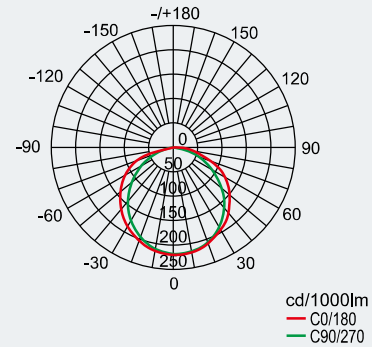
BAY51-LED 9x1□

Rated luminous flux
LED 9Wx1: 945lm



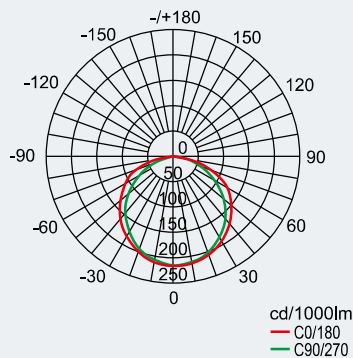
BAY51-LED 9x2□□

Rated luminous flux
LED 9Wx2: 1890lm



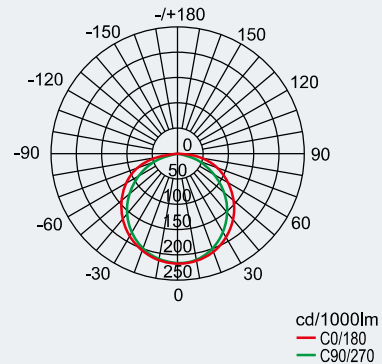
BAY51-LED 18x1□

Rated luminous flux
LED 18Wx1: 1890lm



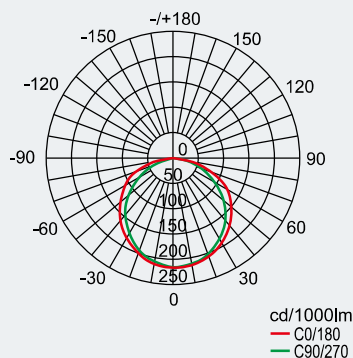
BAY51-LED 18x2□□

Rated luminous flux
LED 18Wx2: 3780lm



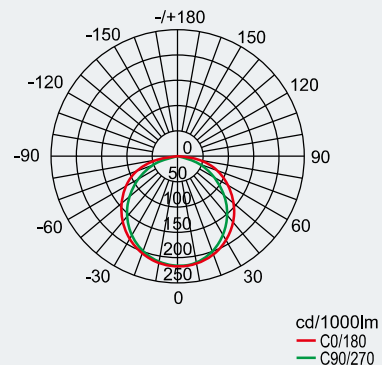
BAY51-LED 28x1□

Rated luminous flux
LED 28Wx1: 2940lm



BAY51-LED 28x2□□

Rated luminous flux
LED 28Wx2: 5580lm



We can provide lighting design and data by professional lighting software DIALUX based upon simulated site situation on request.



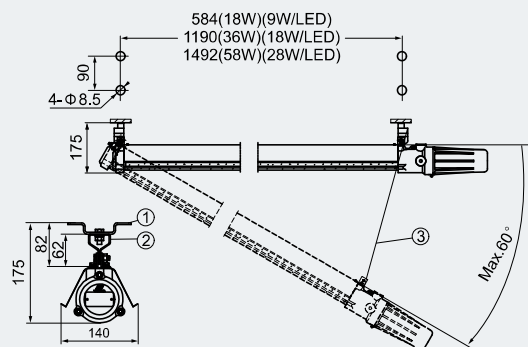
Light Fittings for Fluorescent Lamp

BAY51 Series Explosion-proof Light Fittings for Fluorescent Lamp

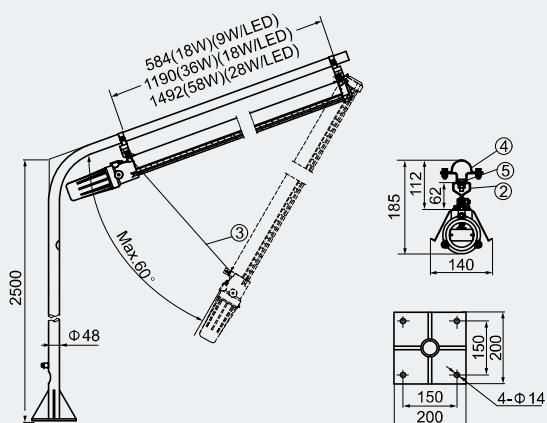
Mounting type for light fittings with single lamp tube (all dimensions in mm) - subject to alteration

Installation reference

X: ceiling type



L: pole type (the pole is provided by user)



Mounting Accessories & Spare Parts Table (light fittings with single lamp tube)

Supplied according to the mounting type

Mounting type	Accessories			Ordering code	Weight (kg)
	Name	Qty	Illustration		
X: ceiling type	①.Mounting bracket	2		5136030	0.07
	②.Connector	2		51S01X1	0.04
	③.Steel wire rope (with hook)	1	Length: 0.7m (18W), 1.3m (36W), 1.6m (58W)	51S01X2	0.30~0.50
L: pole type	④.G1 1/2" Pipe clamp	2		5136014	0.04
	⑤.Mounting bracket	2		5136012	0.04
	②.Connector	2	Same as ceiling type	51S01X1	0.04
	③.Steel wire rope (with hook)	1	Same as ceiling type	51S01X2	0.30~0.50

Note: Accessories not in the table shall be supplied by user.

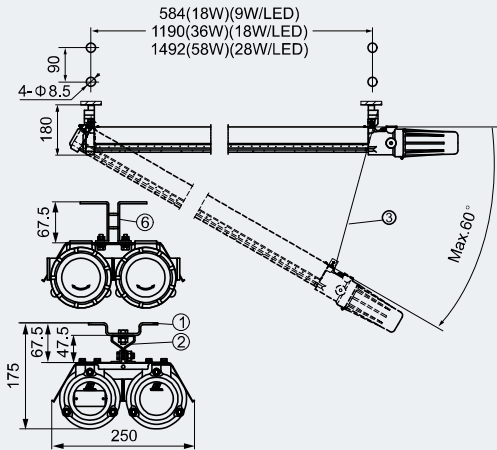


Light Fittings for Fluorescent Lamp BAY51 Series Explosion-proof Light Fittings for Fluorescent Lamp

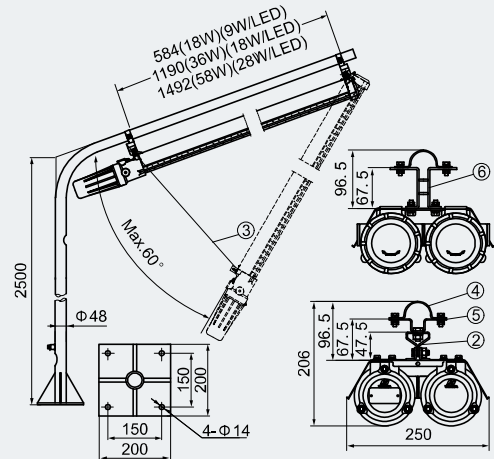
Mounting type for light fittings with dual lamp tube (all dimensions in mm) - subject to alteration

Installation reference

X: ceiling type



L: pole type (the pole is provided by user)



Mounting Accessories & Spare Parts Table (light fittings with dual lamp tube)

Supplied according to the mounting type

Mounting type	Accessories			Ordering code	Weight (kg)
	Name	Qty	Illustration		
X: ceiling type	①.Mounting bracket	1		5136030	0.07
	②.Connector	1		51S01X1	0.04
	③.Steel wire rope (with hook)	1	Length: 0.7m (18W), 1.3m (36W), 1.6m (58W)	51S01X2	0.30~0.50
	⑥.Mounting bracket	1		51D01X3	0.13
L: pole type	④.G1 1/2" Pipe clamp	2		5136014	0.04
	⑤.Mounting bracket	1		5136012	0.04
	②.Connector	2	Same as ceiling type	51S01X1	0.04
	③.Steel wire rope (with hook)	1	Same as ceiling type	51S01X2	0.30~0.50
	⑥.Mounting bracket	1	Same as ceiling type	51D01X3	0.13

Note: Accessories not in the table shall be supplied by user.

Light Fittings for Fluorescent Lamp

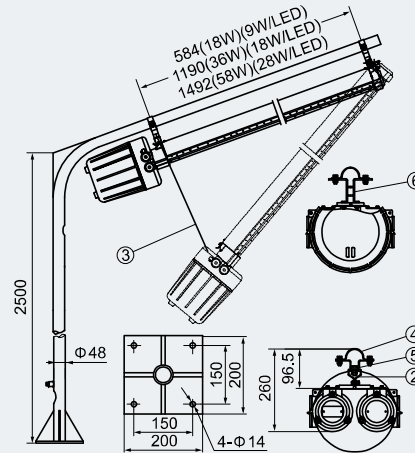
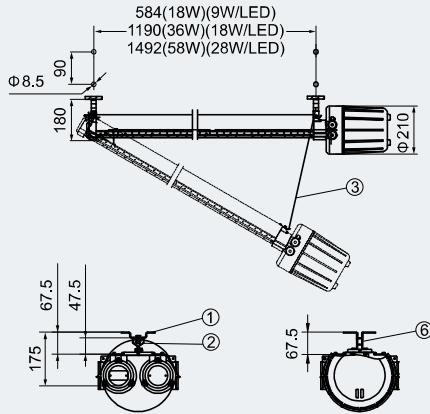
BAY51 Series Explosion-proof Light Fittings for Fluorescent Lamp

Mounting type for light fittings with dual lamp tube (all dimensions in mm) - subject to alteration

Installation reference

X: ceiling type (for: BAY51-□×2XJ; BAY51-LED□×2XJ)

L: pole type (the pole is provided by user)
(for: BAY51-□×2LJ; BAY51-LED□×2LJ)



Mounting Accessories & Spare Parts Table (light fittings with dual lamp tube)

Supplied according to the mounting type

Mounting type	Accessories			Ordering code	Weight (kg)
	Name	Qty	Illustration		
X: ceiling type	①.Mounting bracket	1		5136030	0.07
	②.Connector	1		51S01X1	0.04
	③.Steel wire rope (with hook)	1	Length: 0.7m (18W), 1.3m (36W), 1.6m (58W)	51S01X2	0.30~0.50
	⑥.Mounting bracket	1		51D01X3	0.13
L: pole type	④.G1 1/2" Pipe clamp	2		5136014	0.04
	⑤.Mounting bracket	1		5136012	0.04
	②.Connector	2	Same as ceiling type	51S01X1	0.04
	③.Steel wire rope (with hook)	1	Same as ceiling type	51S01X2	0.30~0.50
	⑥.Mounting bracket	1	Same as ceiling type	51D01X3	0.13

Note: Accessories not in the table shall be supplied by user.

